

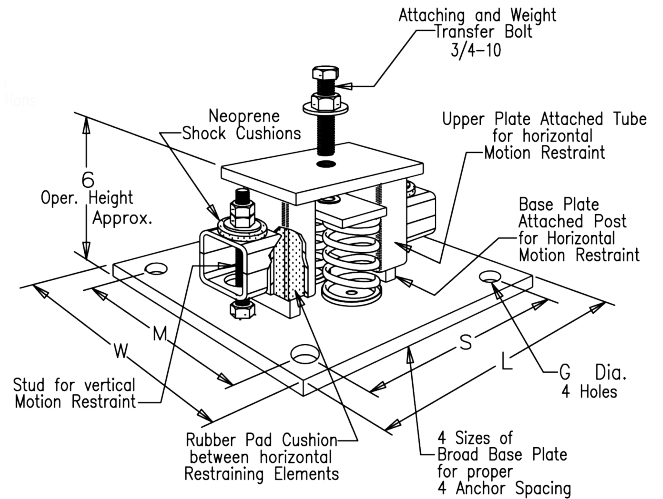
RJJEQ Vibration Isolators



Steel compression springs isolate loads up to 5880 lbs per mount. Moderate spring deflections generally result in usage under medium through high speed equipment such as engine generator sets.

Earthquake Restraints

Pre-Approval # OPA-0012 has been granted by California's Office of Statewide Health Planning and Development (OSHPD).



Specifications

VIBRATION ISOLATION RATINGS				
Type	SIZE	Max. Load (lbs)	Max. Defl. (in)	Spring Rate (lbs/in)
RJJEQ	A, B or C	158	1 . 13	140
RJJEQ	A, B or C	212	1 . 13	188
RJJEQ	A, B or C	240	2 . 30	104
RJJEQ	A, B or C	310	2 . 00	155
RJJEQ	A, B or C	374	1 . 1	340
RJJEQ	A, B or C	402	1 . 70	236
RJJEQ	A, B or C	488	1 . 13	432
RJJEQ	A, B or C	592	1 . 60	370
RJJEQ	A, B or C	636	1 . 13	562
RJJEQ	A, B or C	790	1 . 80	440
RJJEQ	A, B or C	1022	1 . 50	682
RJJEQ	A, B or C	1430	1 . 30	1100
RJJEQ	A, B or C	1602	1 . 00	1602
RJJEQ	A, B or C	2120	1 . 00	2120
RJJEQ	A, B or C	3040	. 78	3900
RJJEQ	A, B or C	3920	. 78	5030
RJJEQ	D	1533	1 . 50	1023
RJJEQ	D	2145	1 . 30	1650
RJJEQ	D	2403	1 . 13	2127
RJJEQ	D	3180	1 . 00	3180
RJJEQ	D	4560	. 78	5844
RJJEQ	D	5880	. 78	7569

PRE-APPROVED MAXIMUM ALLOWABLE LOADS	
HORIZONTAL	3570 Lbs.
VERTICAL	6780 Lbs.

Size	A	B	C	D
L	10	10	12	12
S	8½	8½	10	10
W	7½	9	10½	12
M	6	7½	9	10
G	5/8	3/4	7/8	7/8

TYPICAL CALLOUTS

