

BLUE STAR

Power Systems Inc.

Diesel Product Line

208-600 Volt

JD30-03IT4

60 Hz / 1800 RPM

30 kWe / 25 kWe

Standby / Prime

Ratings

	240V	208V	240V	480V	600V
Phase	1	3	3	3	3
PF	1.0	0.8	0.8	0.8	0.8
Hz	60	60	60	60	60
Generator Model	284PSL1708	283PSL1707	283PSL1707	283PSL1707	283PSL5251
Connection	12 LEAD ZIG-ZAG	12 LEAD WYE	12 LEAD DELTA	12 LEAD WYE	4 LEAD WYE
Standby					
kWe	30	30	30	30	30
AMPS	125	104	90	45	36
Temp Rise	130°C / 27°C	130°C / 27°C	130°C / 27°C	130°C / 27°C	130°C / 27°C
Prime					
kWe	25	25	25	25	25
AMPS	104	87	75	38	30
Temp Rise	105°C / 40°C	105°C / 40°C	105°C / 40°C	105°C / 40°C	105°C / 40°C

Standard Equipment

- | | | |
|---|--|---|
| <p>Engine</p> <ul style="list-style-type: none"> ▶ Radiator Cooled Unit Mounted (50°C) ▶ Blower Fan & Fan Drive ▶ Starter & Alternator ▶ Oil Pump & Filter ▶ Oil Drain Extension w/Valve ▶ Governor - Electronic Isochronous ▶ 12V Battery System & Cables ▶ Air Cleaner (Dry Single Stage) ▶ Flexible Fuel Connector ▶ EPA Certified Tier IT4 <p>Listing Certifications</p> <ul style="list-style-type: none"> ▶ UL 2200 Listed ▶ cUL Listed ▶ CSA Certified ▶ Seismic Certified to IBC 2012 | <p>Generator</p> <ul style="list-style-type: none"> ▶ Brushless Single Bearing ▶ Automatic Voltage Regulator ▶ ± 1% Voltage Regulation ▶ 4 Pole, Rotating Field ▶ 130°C Standby Temperature Rise ▶ 105°C Prime Temperature Rise ▶ 100% of Rated Load - One Step ▶ 5% Maximum Harmonic Content ▶ NEMA MG 1, IEEE and ANSI Standards Compliance for Temperature Rise | <p>Additional</p> <ul style="list-style-type: none"> ▶ Microprocessor Based Digital Control ▶ Interface Connection Box ▶ Control Panel Mounted in NEMA 12 Enclosure ▶ Base - Formed Steel ▶ Main Line Circuit Breaker Mounted & Wired ▶ Critical Grade Silencer Mounted ▶ Battery Charger 12V 6 Amp ▶ Jacket Water Heater -20°F 1000W 120V w/Isolation Valves ▶ Vibration Isolation Mounts ▶ Radiator Duct Flange (OPU Only) ▶ Single Source Supplier ▶ 2YR / 2000HR Standby Warranty ▶ 1YR / 1500HR Prime Warranty ▶ Standard Colors - White / Tan / Gray |
|---|--|---|

Application Data

Engine

Manufacturer:	John Deere	Displacement - Cu. In. (lit):	177 (2.90)
Model:	3029TFG80	Bore - in. (cm) x Stroke - in. (cm):	4.20 (10.6) x 4.30 (11.0)
Type:	4-Cycle	Compression Ratio:	17.2:1
Aspiration:	Turbo Charged	Rated RPM:	1800
Cylinder Arrangement:	3 Cylinder Inline	Max HP Stby (kWm):	47.0 (35.1)

Exhaust System

	Standby	Prime
Gas Temp. (Stack): °F (°C)	1,076 (580)	1,076 (580)
Gas Volume at Stack Temp: CFM (m³/min)	293 (8.30)	293 (8.30)
Maximum Allowable Exhaust Restriction: in. H ₂ O (kPa)	30.0 (7.50)	30.0 (7.50)

Cooling System

Ambient Capacity of Radiator: °F (°C)	122 (50.0)	122 (50.0)
Maximum Allowable Static Pressure on Rad. Exhaust: in. H ₂ O (kPa)	0.50 (0.12)	0.50 (0.12)
Water Pump Flow Rate: GPM (lit/min)	29.0 (110)	29.0 (110)
Heat Rejection to Coolant: BTUM (kW)	1,144 (20.1)	1,144 (20.1)
Heat Radiated to Ambient: BTUM (kW)	342 (5.99)	285 (4.98)

Air Requirements

Aspirating: CFM (m³/min)	127 (3.60)	127 (3.60)
Air Flow Required for Rad. Cooled Unit: CFM (m³/min)	4,013 (114)	4,013 (114)
Air Flow Required for Heat Exchanger/Rem. Rad. CFM (m³/min)	Consult Factory For Remote Cooled Applications	

Fuel Consumption

At 100% of Power Rating: gal/hr (lit/hr)	2.65 (10.0)	2.20 (8.33)
At 75% of Power Rating: gal/hr (lit/hr)	1.99 (7.19)	1.65 (6.25)
At 50% of Power Rating: gal/hr (lit/hr)	1.37 (5.19)	1.13 (4.28)

Fluids Capacity

Total Oil System: gal (lit)	3.10 (11.8)	3.10 (11.8)
Engine Jacket Water Capacity: gal (lit)	1.51 (5.70)	1.51 (5.70)
System Coolant Capacity: gal (lit)	4.51 (17.1)	4.51 (17.1)

Deration Factors

Rated Power is available up to 10,000 ft (3,048 m) at ambient temperatures to 122°F (50°C) standby and prime. Consult factory for site conditions above these parameters.

DGC-2020 Control Panel

Standard Features

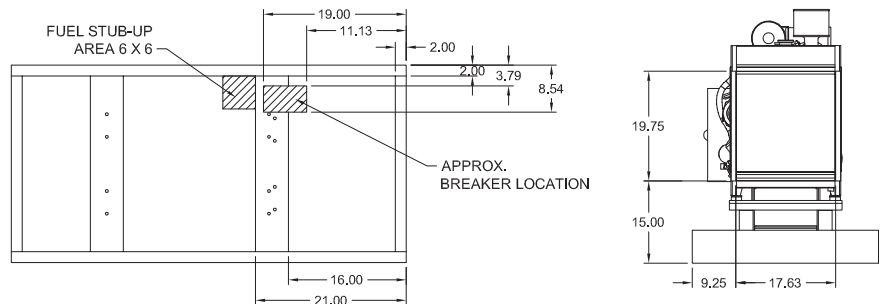
- ▶ Digital Metering
- ▶ Engine Parameters
- ▶ Generator Protection Functions
- ▶ Engine Protection
- ▶ CAN Bus ECU Communications
- ▶ Windows-Based Software
- ▶ Multilingual Capability
- ▶ Remote Communications to RDP-110 Remote Annunciator
- ▶ 16 Programmable Contact Inputs
- ▶ Up to 15 Contact Outputs (7 standard)
- ▶ UL Recognized, CSA Certified, CE Approved
- ▶ Event Recording
- ▶ IP 54 Front Panel Rating with Integrated Gasket
- ▶ NFPA 110 Level 1 Compatible



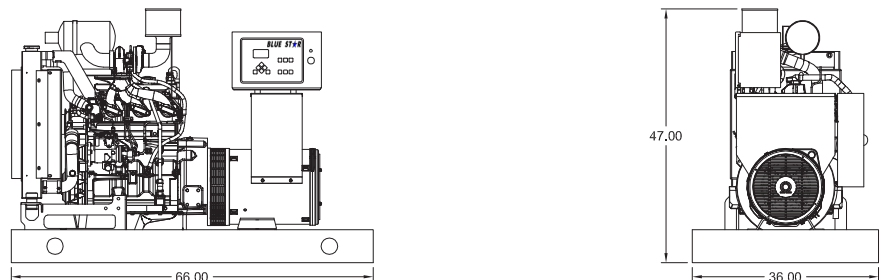
Weights / Dimensions / Sound Data

	L x W x H	Weight lbs
OPU	66 x 36 x 47 in	1,525
Level 1	80 x 36 x 48 in	1,875
Level 2	80 x 36 x 48 in	1,925
Level 3	104 x 36 x 48 in	2,050

Please allow 6-12 inches for height of exhaust stack.



	No Load	Full Load
OPU	72 dBA	74 dBA
Level 1	66 dBA	68 dBA
Level 2	62 dBA	65 dBA
Level 3	60 dBA	62 dBA



Drawings based on standard open power 480 volt standby generator. Lengths may vary with other voltages. Subject to change without notice. Sound data as measured at 23 feet (7 meters) in accordance with ISO 8528-10 at standby rating.

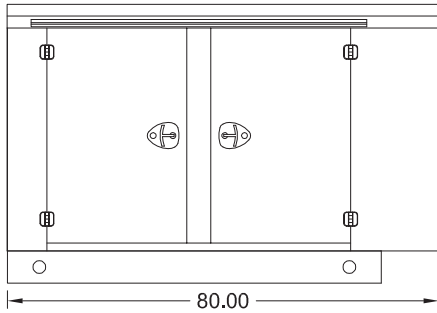
Diesel Product Line

30 kWe / 25 kWe

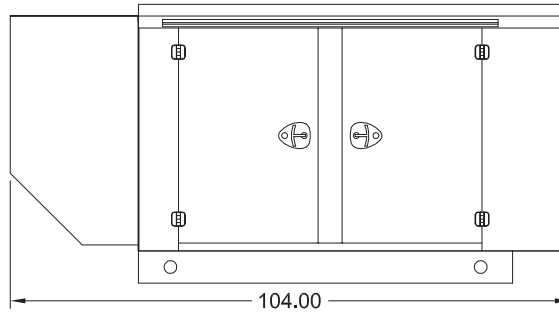


Enclosures

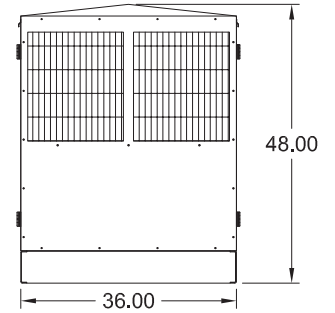
Level 1 & 2 | Side View (Weather Proof)



Level 3 | Side View (Sound Attenuated)



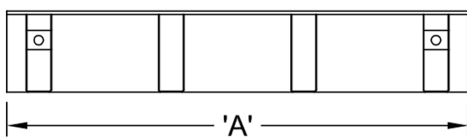
Level 1, 2 & 3 | Intake View



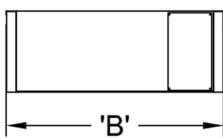
All enclosures are 150 MPH Wind Rated.
 Level 2 & 3 enclosures include sound attenuation foam.
 Level 3 enclosure includes frontal sound & exhaust hood.
 *Enclosure height does not include exhaust stack.

Double Wall UL 142 Listed Fuel Tanks

Side View



Rear View



	24 Hour 70 Gallon	48 Hour 140 Gallon	72 Hour 210 Gallon
A	66.00	66.00	84.00
B	36.00	36.00	36.00
C	16.00	30.00	32.00

All specification sheet dimensions are represented in inches.
 All enclosures and fuel tanks are based on the standard standby unit configuration. Any deviation can change dimensions.
 Materials and specifications subject to change without notice.

American Owned



American Made

Distributed By:

Blue Star Power Systems, Inc.

52146 Ember Road
 Lake Crystal, Minnesota 56055
 Phone + 1 507 726 2508
 bluestarps.com
 quote.bluestarps.com
 sales@bluestarps.com